



LLOYDMINSTER

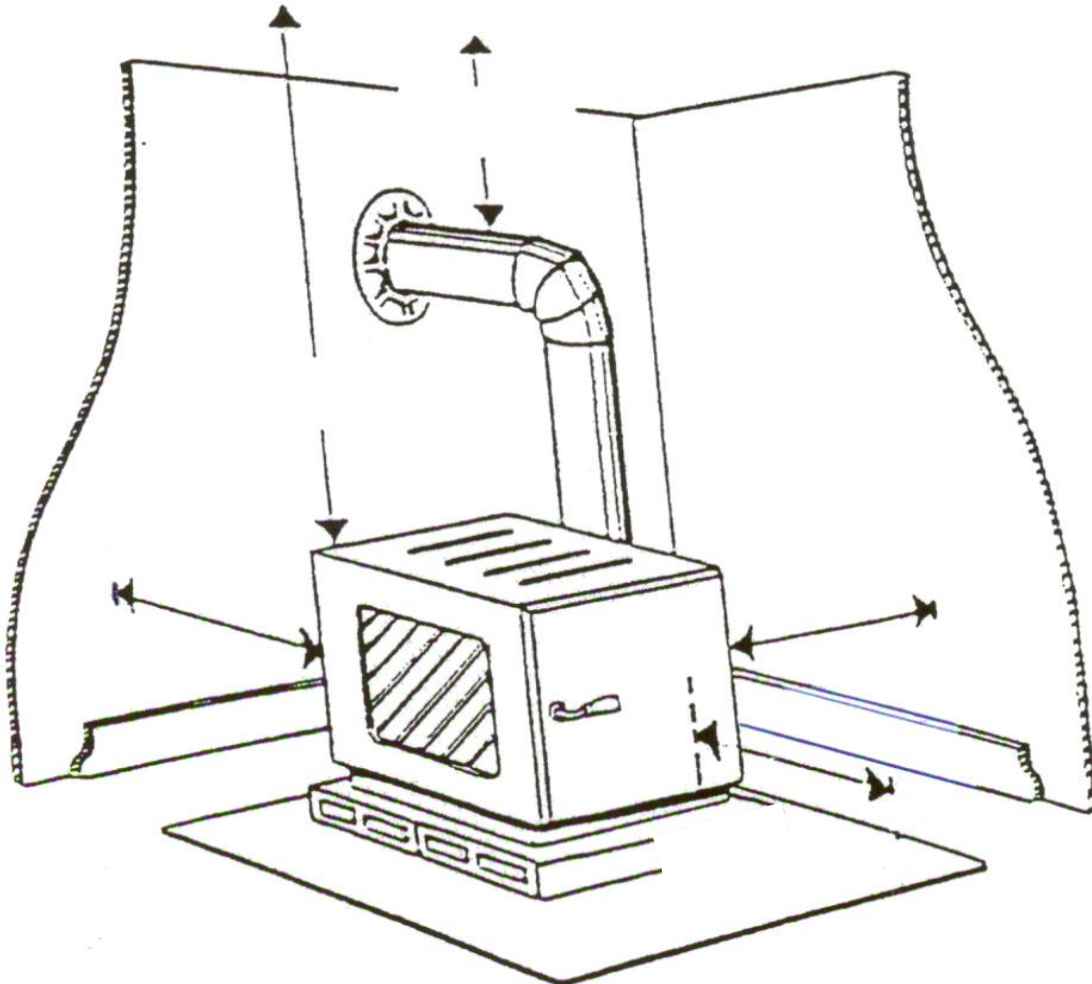


SOLID FUEL BURNING APPLIANCE INFORMATION

PERMIT NO.: _____

Please complete as much information as possible and submit with the building permit application.

1. Applicant's Name: _____
2. Municipality: _____
3. Legal Land Description Lot _____ Block _____ Plan _____
_____ ¼ Sec _____ Twp _____ Rge _____ W of _____ Meridian
4. In the solid fuel burning appliance ULC, Warnock Hersey or CSA approved? _____
5. Please fill in the information as indicated on the diagram below.



Calgary
Edmonton
Lloydminster
Red Deer
Lethbridge

25, 2015 - 32 Avenue NE
14613 - 134 Avenue
Unit 2, 1724- 50 Avenue
3, 6264 - 67A Street
422 North Mayor Magrath Drive

T2E 6Z3
T5L 4S9
T9V 0Y1
T4P 3E8
T1H 6H7

Ph: 403-717-2344
Ph: 780-489-4777
Ph: 403-358-5545
Ph: 403-320-0734

Fax: 403-717-2340
Fax: 780-489-4711
Fax: 403-358-5085
Fax: 403-320-9969

Toll Free Ph: 1-888-717-2344
Toll Free Ph: 1-866-999-4777
Toll Free Ph: 1-888-358-5545
Toll Free Ph: 1-877-320-0734

Toll Free Fax: 1-888-717-2340
Toll Free Fax: 1-866-999-4711
Toll Free Fax: 1-866-358-5085